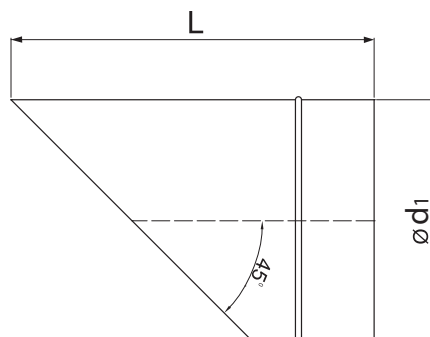


Angle take-off with mesh

ASV-45/ASVL-45



Dimensions



Description

ASV / ASVL take-offs are male-ended fittings to be inserted directly into round SPIRAL or plain ducts. The 12.7x12.7 mm mesh installed right behind the duct end secures the exhaust against birds, large insects, leaves or debris. The 45-degree cut end forms a canopy against rain and snow, with an added value of a neat finish. ASV-45 units are available with female ends on request for connecting the take-off with a ventilation bend.

ASV-45 - Angle take-off with a mesh and without a gasket
ASVL-45 - Angle take-off with a mesh and an EPDM gasket

Available materials - Product code example

ASV-45-... - galvanized steel sheet
 ASV-45-K... - 1.4301/304 stainless steel sheet
 ASV-45-K-...- 316L - 1.4404/316L stainless steel sheet, molybdenum-enriched
 ASV-45-A-... - AW-1050A H24 aluminium sheet
 ASV-45-CU-... - M1E z4 copper sheet

Product code example

Product code: **ASV-45 - aaa**

type _____
 Ød₁ _____

Ød _{1 nom} [mm]	L [mm]	Weight [kg]
125	198	0.24
140	210	0.29
150	221	0.32
160	230	0.35
180	250	0.41
200	270	0.48
224	294	0.57
250	373	0.98
280	402	1.16
315	438	1.39
355	482	1.77
400	547	2.28
450	627	3.59
500	677	4.23
560	737	5.04
630	807	6.10
710	948	10.00
800	1038	12.15
900	1136	14.66
1000	1251	17.95

* ASV: the standard end is male and without a gasket